



MOTOR POWER GENERATOR



Features

- Zero Maintenance Brushless Motor
- Compact Size
- High Efficiency, 90+%
- Light Weight
- Reduced Inertia
- Custom Solutions Available

ISO 9001
ISO 14001

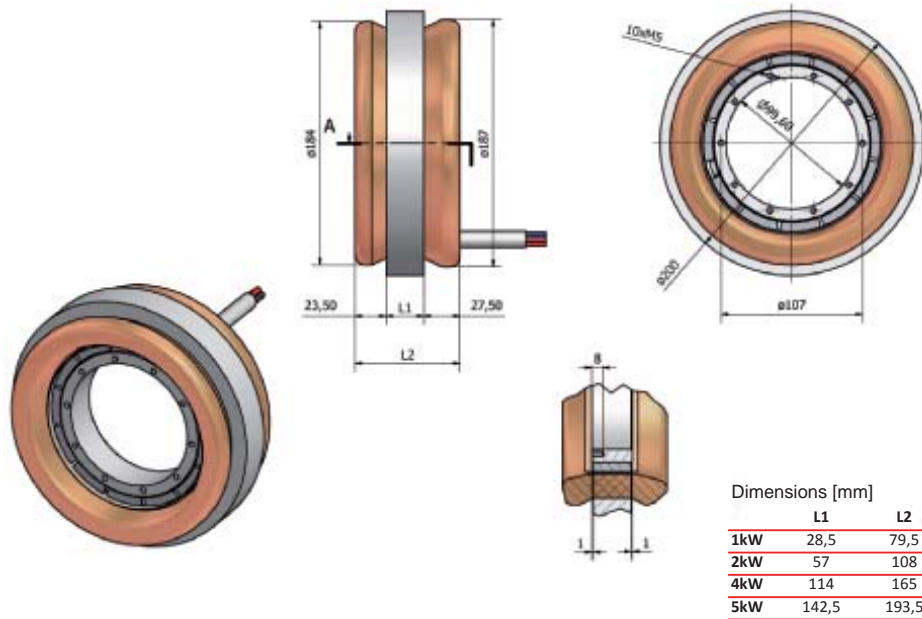
BUREAU VERITAS
Certification



Power Generator

This family of brushless motors features *Radial Slotted Technology*. This technology is ideal for Wind Turbine applications because it provides very high power in the smallest lightest package possible and because there is no maintenance required. These motors are easily modified for a variety of applications.

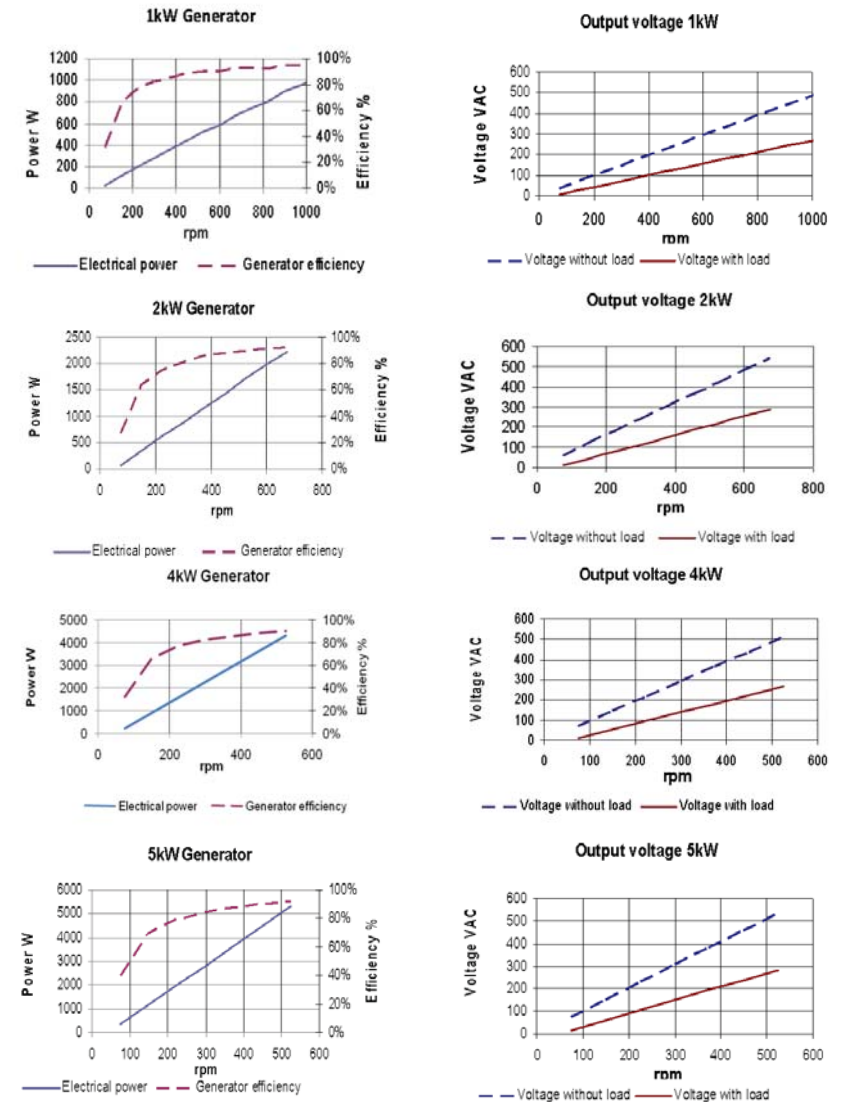
Mechanical Dimensions



Technical data

CHARACTERISTICS	SYMBOL	UNIT	1kW	2kW	4kW	5kW
Rated speed	n	rpm	975	675	525	450
Rated power	P	W	957	2225	4290	4470
Rated output voltage without load	V ₀	V	475	541	512	459
Rated output voltage with load	V	V	452	498	463	413
Rated current	I	A	1,22	2,58	5,35	6,25
Peak current	I _p	A	4,88	10,32	21,4	25
Efficiency at rated power	□	%	95	92,1	90,4	90
Resistance phase to phase	R	□	15,2	13,6	7,6	6,1
Inductance phase to phase	L	mH	73	85	58	47
Rotor inertia	J	Kgm ² 10 ⁻³	5,8	11,3	20,6	25,2
N° of pair poles	p		6	6	6	6
Cogging torque	C _t	Nm	<0,35	<0,75	<1,5	<2
Weight	W	kg	6,4	11	20,7	25,5

Performance Curves



" For 30 years Infranor has been a technology leader developing high performance, high quality, motors and drives. We specialize in custom solutions including pitch control and power generation for Wind Applications "