



INDUSTRIAL

WE MAGNETISE THE WORLD



Technical product overview High Performance Rotary Solenoids PDM

Reliable, Flexible and Fast



INDUSTRIAL MAGNETIC SYSTEMS



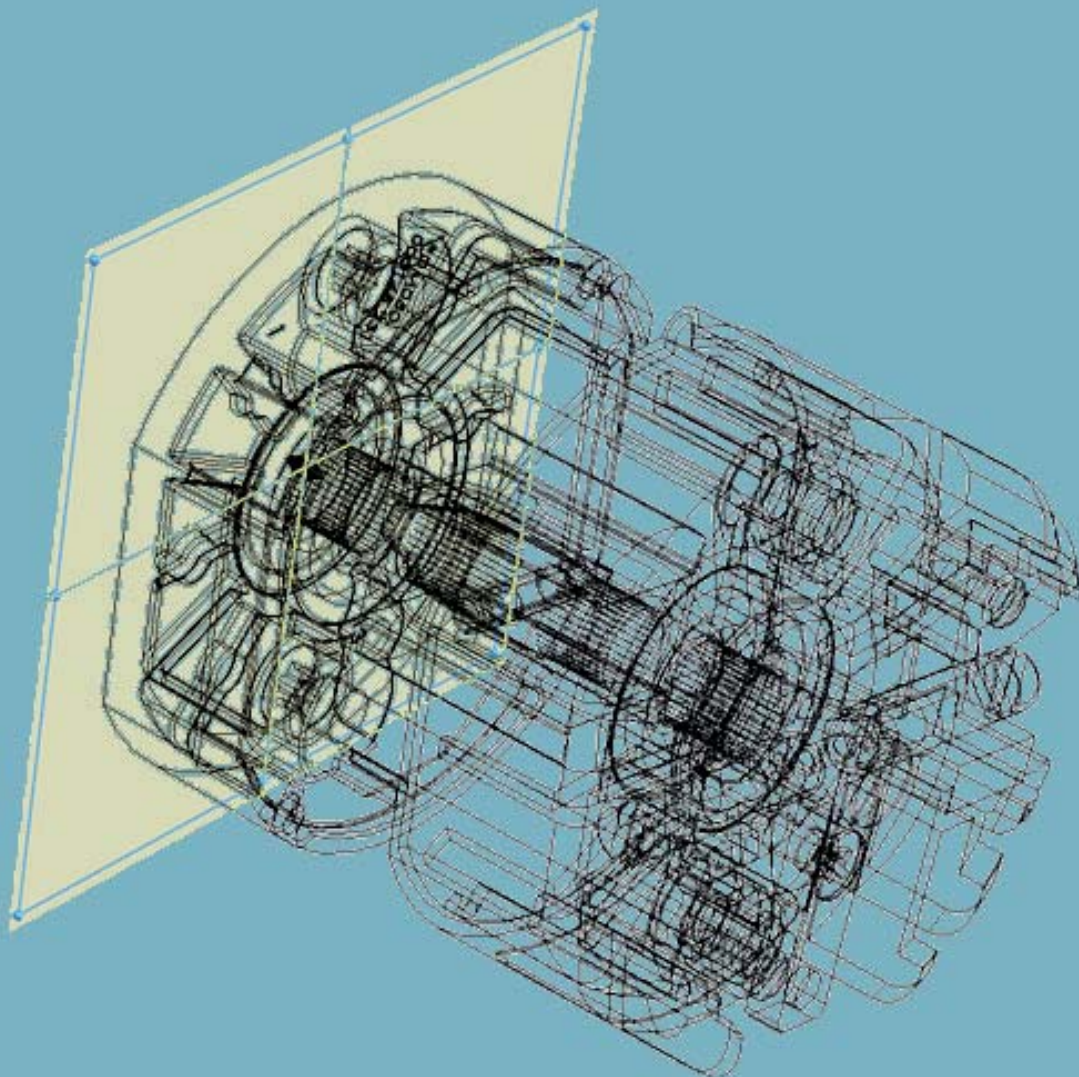
New High Performance Rotary Solenoid Platform PDM

The PDM rotary solenoid platform is based on a completely new rotary solenoid concept that combines two coils in one solenoid. The rotary movement of the electromagnet is achieved by means of polarity reversal, allowing for switching times of less than 10 milliseconds.





The rotary solenoid platform reaches an extremely high service life and reliably switches more than 100 million cycles. This is made possible by low wear due to a permanent-magnetic holding, a ball bearing and an integrated damping.

The high performance rotary solenoids can be used in a variety of applications. In particular with sorting tasks the features of the solenoid series pay off. Rotating actuators are also used as hatches, gates or blinds in the logistics industry or in machine building which often saves components and space.

The PDM platform consists of five basic types which can be customized in the fields mentioned.



Technical data

Description	Size	Operation	Supply voltage	Power	Rotation angle	Switching time	Holding torque (Power OFF)	Protection class	Comment
 PDM050	Ø 50mm	bistable	24-48V	60 - 100W	max. 40°	10 - 20ms	up to 0,15 Nm	IP50	Reaching the protection class IP65 possible with additional housing (Ø55)
 PDM050	Ø 50mm	monostable	24-48V	60 - 100W	max. 30°	ca. 20ms	up to 0,10 Nm (Power OFF) up to 0,40Nm (Power ON)		
 PDM060	Ø60mm	bistable	24-48V	96 - 120W	max. 30°	10 - 20ms	up to 0,9 Nm		
 PDM80	Ø 80mm	bistable	24-48V	84W	max. 40°	ca. 20ms	up to 1,0 Nm		

The Benefits at a Glance

- Modular design → easy customer-specific adaptation
- High speed (10 – 30 ms)
- Long service life
- Maintenance-free
- Integrated stop mechanism
- High energy efficiency → current demand only for switching
- Low wear due to ball bearing
- Hall sensor can be integrated easily