

» CASM-40 | Brushless DC motor BG 75 and adapters

CASM-40 linear units with brushless DC motors are perfectly suited to replace pneumatic cylinders in many applications. It is a very simple system to set up. Connect the motor to a 40V DC power supply and program up to 14 motion profiles with your computer and the programming accessory kit.

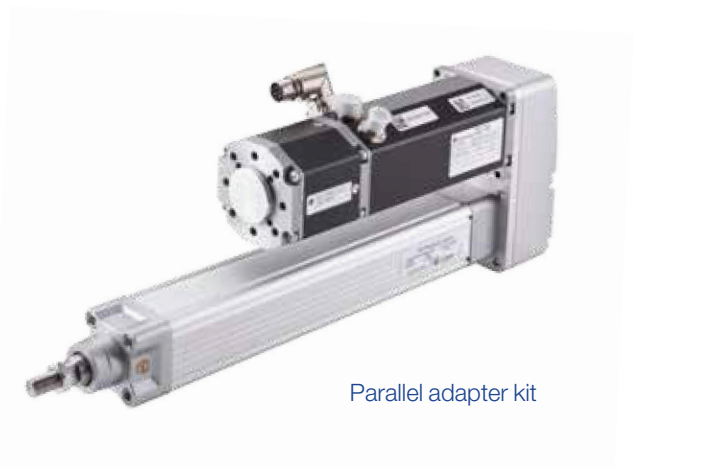
After programming the motor, the motion profile can be activated by 2 – 4 binary signals (PLC outputs or switches) and the actuator will run to the defined position.

The brushless DC motor, BG 75x75 PI, comes with an internal encoder with 4 096 counts per turn for high positioning accuracy.

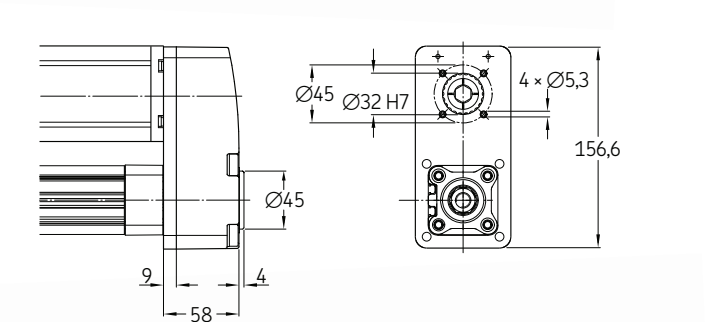
The internal brake is activated after each movement to secure the system in case of a power loss and to give the motor time to cool down when not in operation.

The brake also enables an increase in the power performance of a full motion cycle.

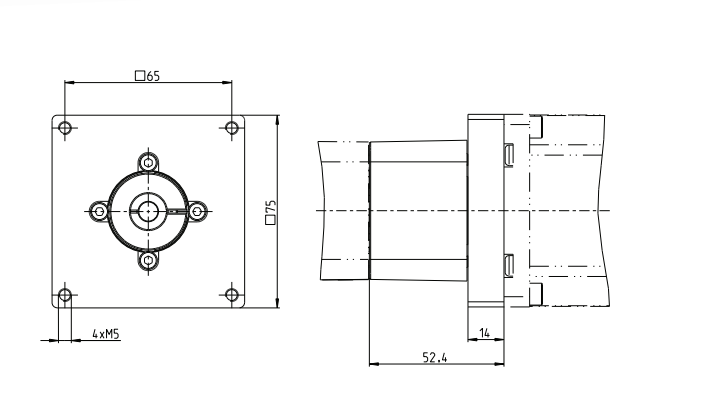
Combinations with other motors are possible.



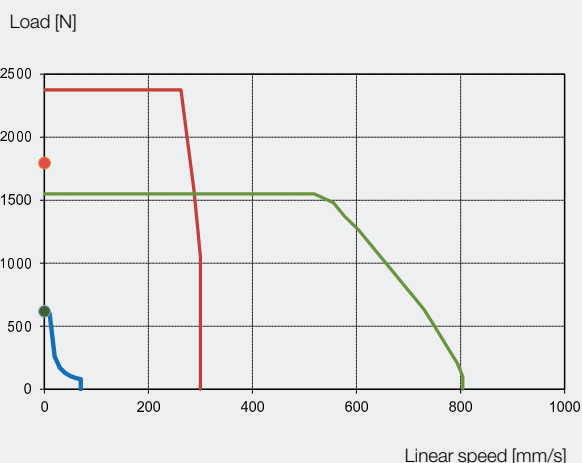
Parallel adapter kit



In-line adapter kit



Load/ linear speed diagram



- CASM-40-BS - Peak Torque
- CASM-40-BS Brake
- CASM-40-BN - Peak Torque
- CASM-40-BN Brake
- CASM-40-LS

Load = force acting on the actuator
(gravity force + acceleration force + constant force)

